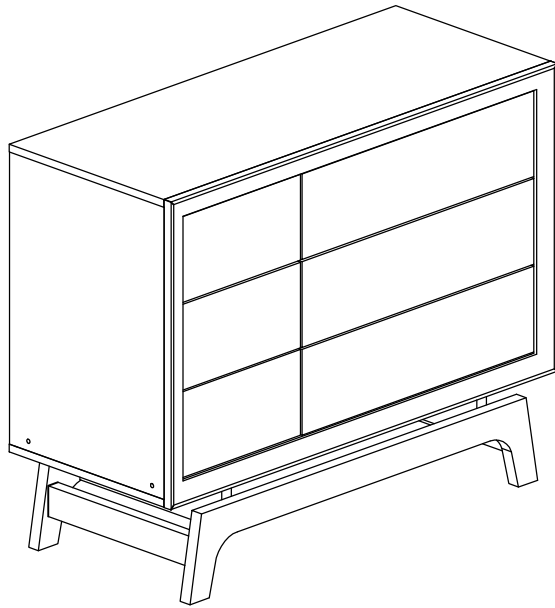
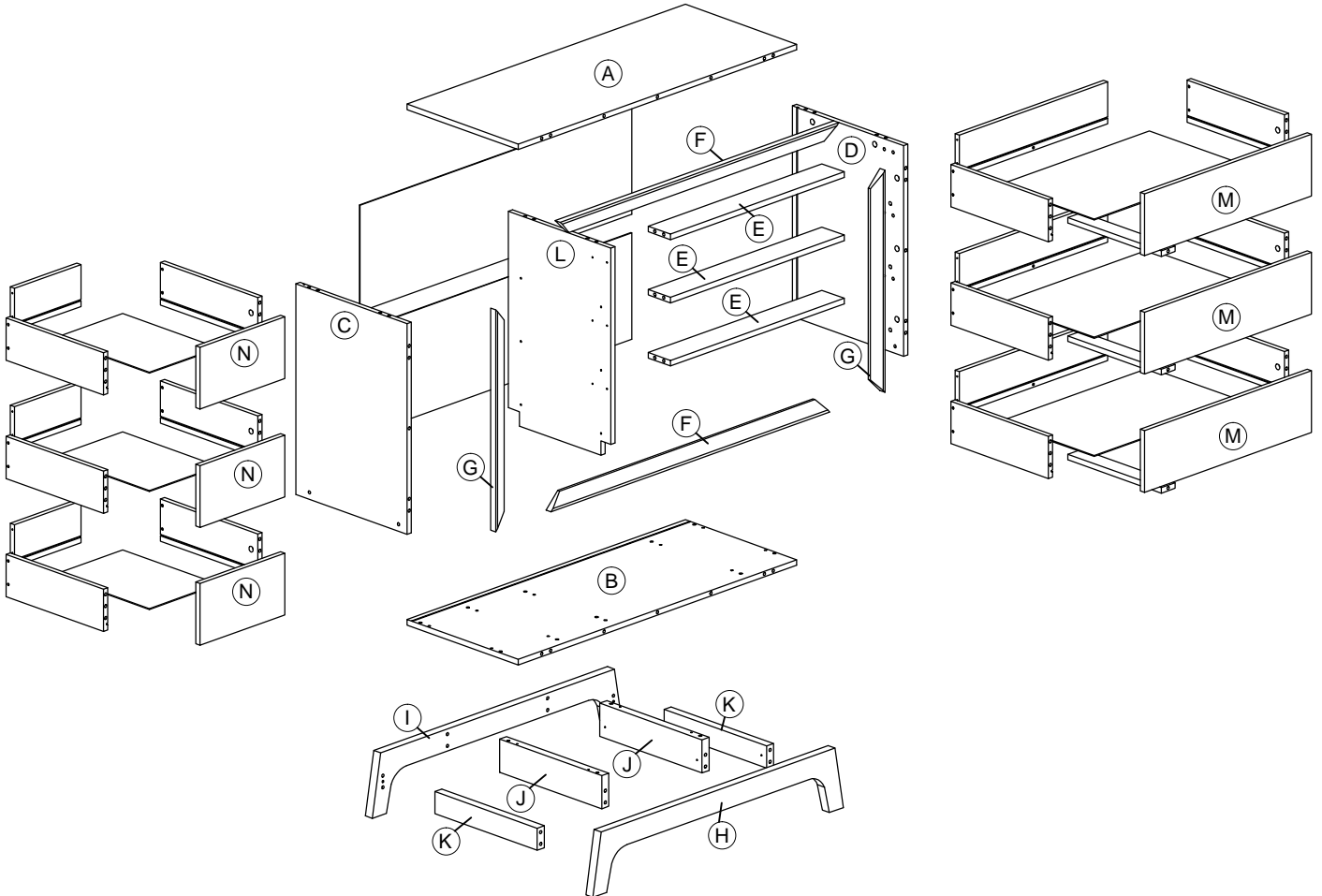


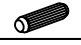









# Assembly Instruction

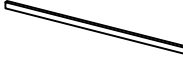





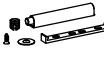



## Part List

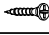

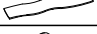



# Assembly Instruction

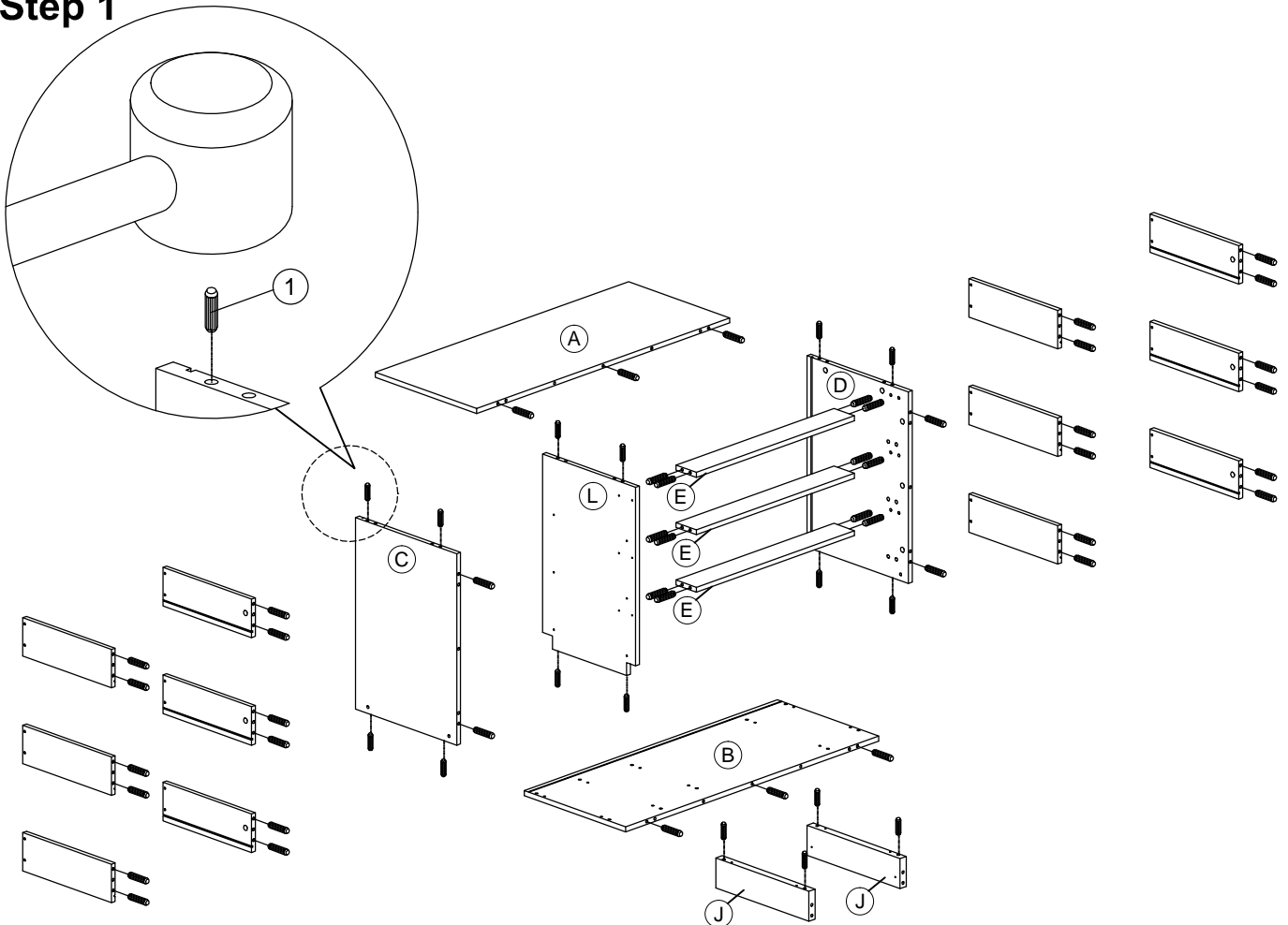
<i>Hardware List</i>			
No.	SHAPE	DESCRIPTION	Qty.
1		<b>8x25mm Wood Dowel</b>	62Pcs
2		<b>8x40mm Wood Dowel</b>	16Pcs
3		<b>15MM Titus Mini Fix</b>	35Sets
4		<b>M3x16mm Screw</b>	44 Pcs
5		<b>M5x8mm Screw (Euro Screw)</b>	24 Pcs
6		<b>M3.5x15mm Screw</b>	72 Pcs
7		<b>M4x40mm Screw</b>	27 Pcs
8		<b>M4x45mm Screw</b>	2 Pcs
9		<b>M5x40mm Screw</b>	10 Pcs
10		<b>JCBC - Blot M6x40mm</b>	4 Pcs
11		<b>L Key</b>	1 Pc
12		<b>Metal Drawer Slide 14" (350mm)</b>	6 Sets

13		<b>Metal Cross Bar 970x38x19mm</b>	2 Pcs
14		<b>L Bracket</b>	12 Pcs
15		<b>Minifix Cap</b>	12 Pcs
16		<b>PVC Drawer Pin 35mm</b>	12 Pcs
17		<b>Z Bracket (Big)</b>	4Pcs
18		<b>Nail Leg</b>	4 Pcs
19		<b>Socket B562Z</b>	9 Sets
20		<b>Nail</b>	8Pcs

### Packing Tipping Restraint

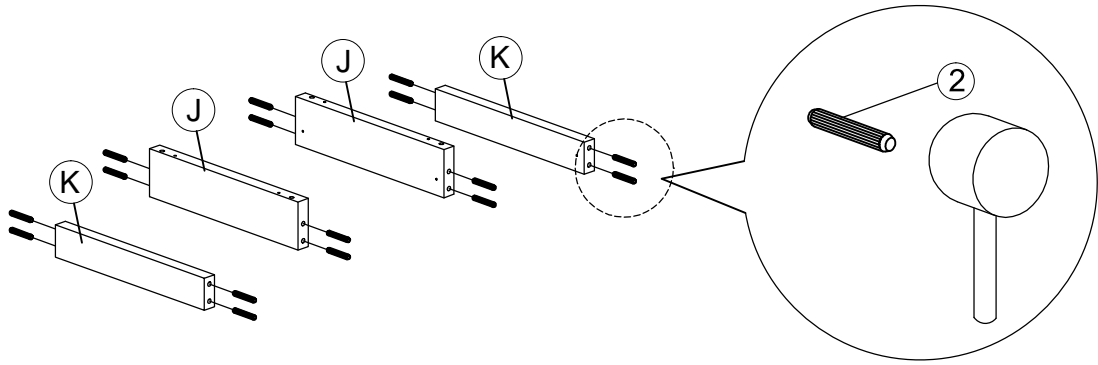
21		<b>M3.5x15mm Screw</b>	2Pcs
22		<b>Wall Plug</b>	2Pcs
23		<b>M4x30mm Screw</b>	2Pcs
24		<b>Safety Strap</b>	2Pcs
25		<b>Flat Washer 6x19x2mm</b>	4Pcs

## Step 1

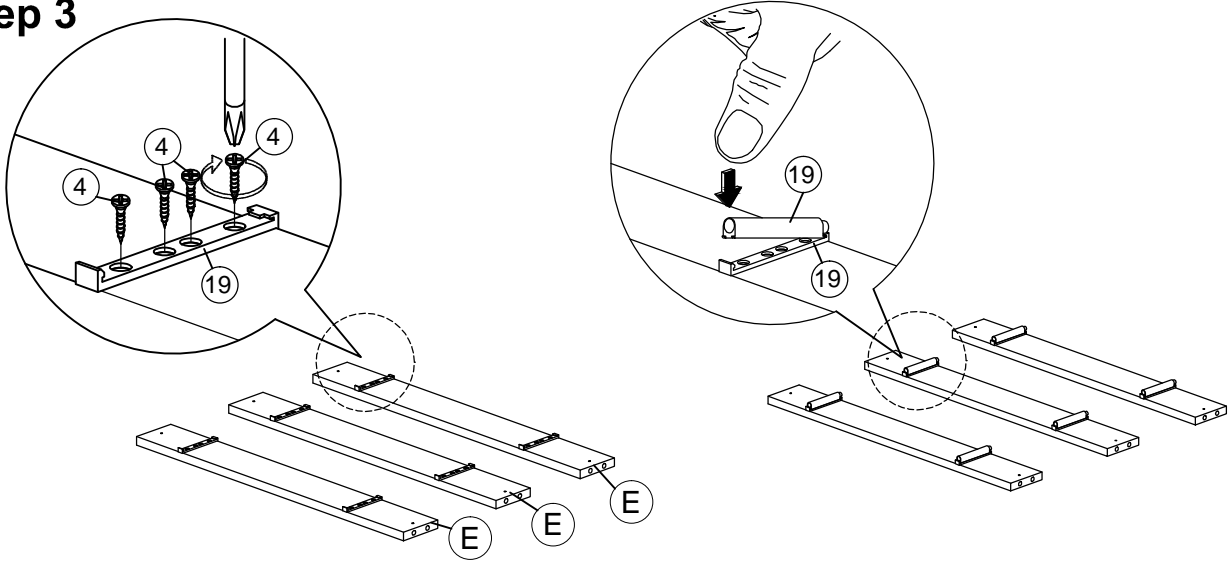


# Assembly Instruction

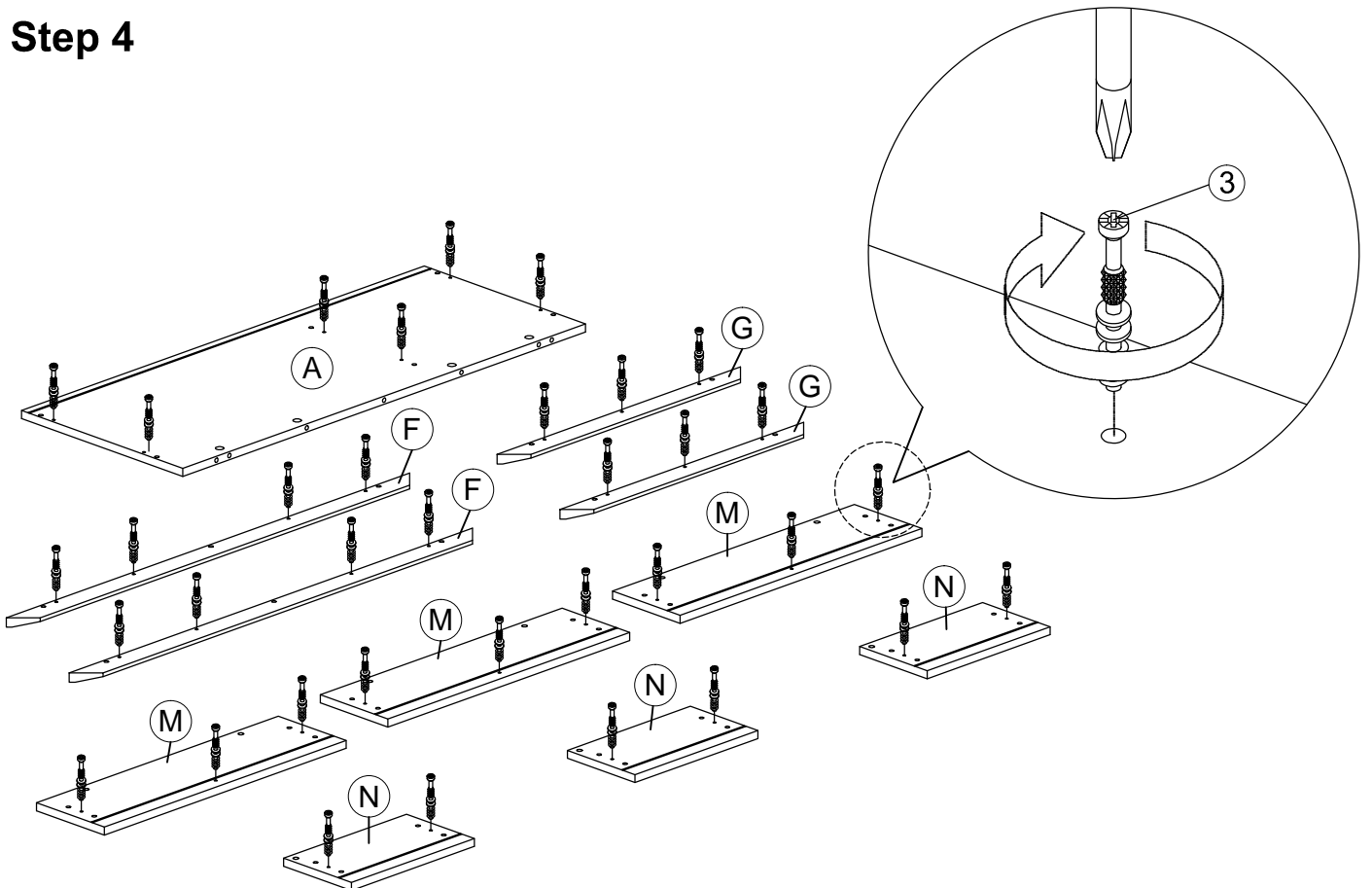
## Step 2



## Step 3

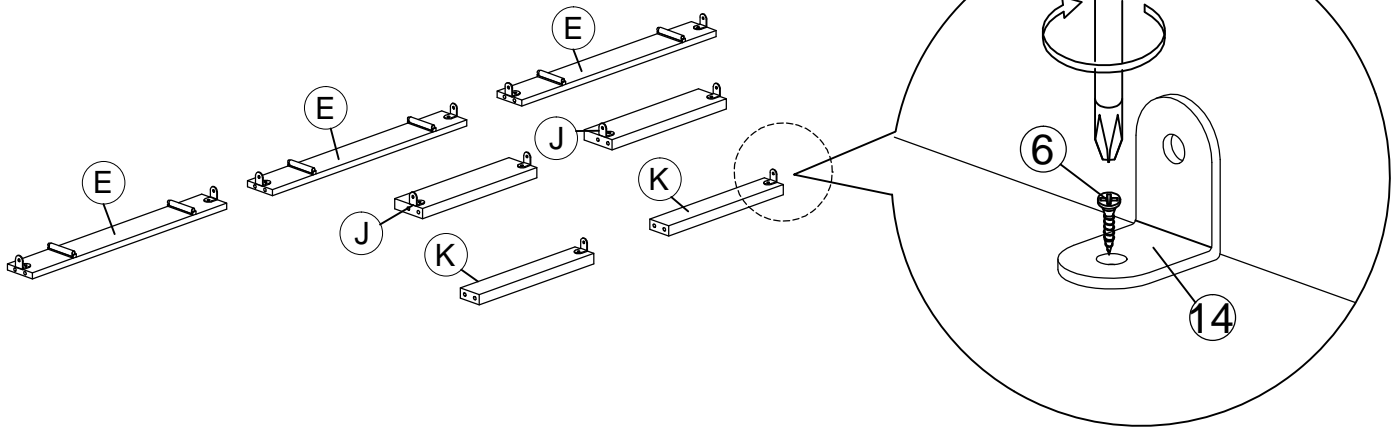


## Step 4

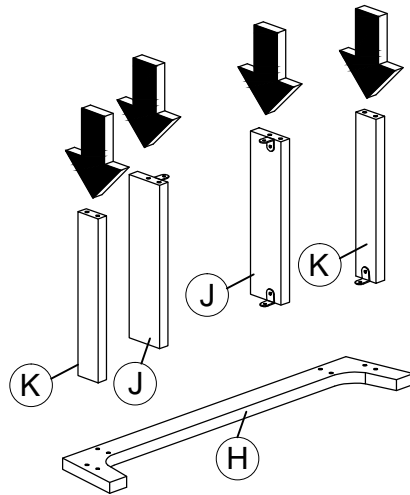


# Assembly Instruction

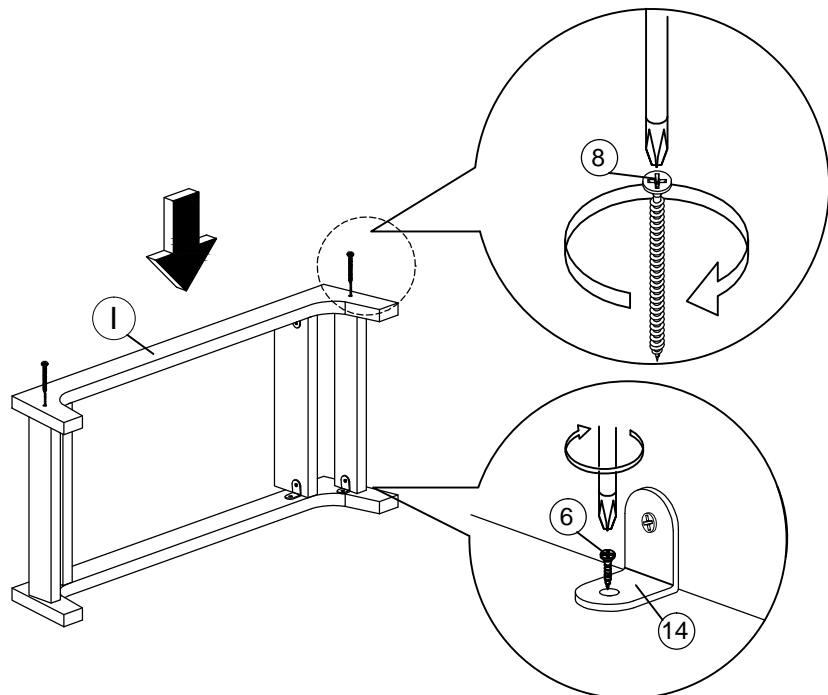
## Step 5



## Step 6

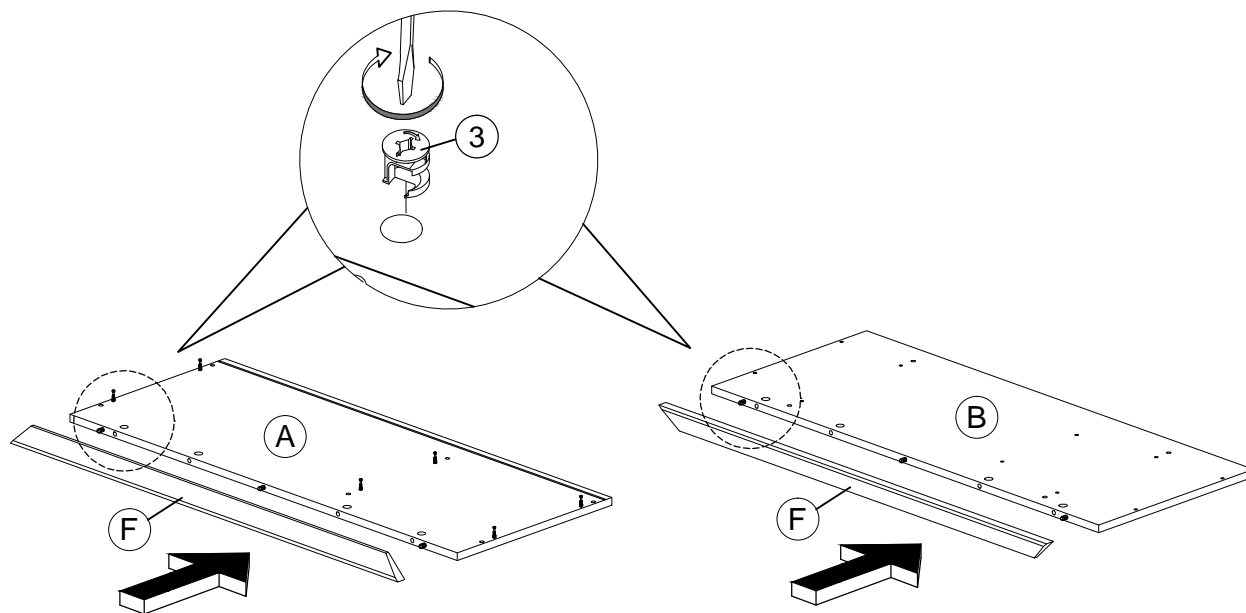


## Step 7

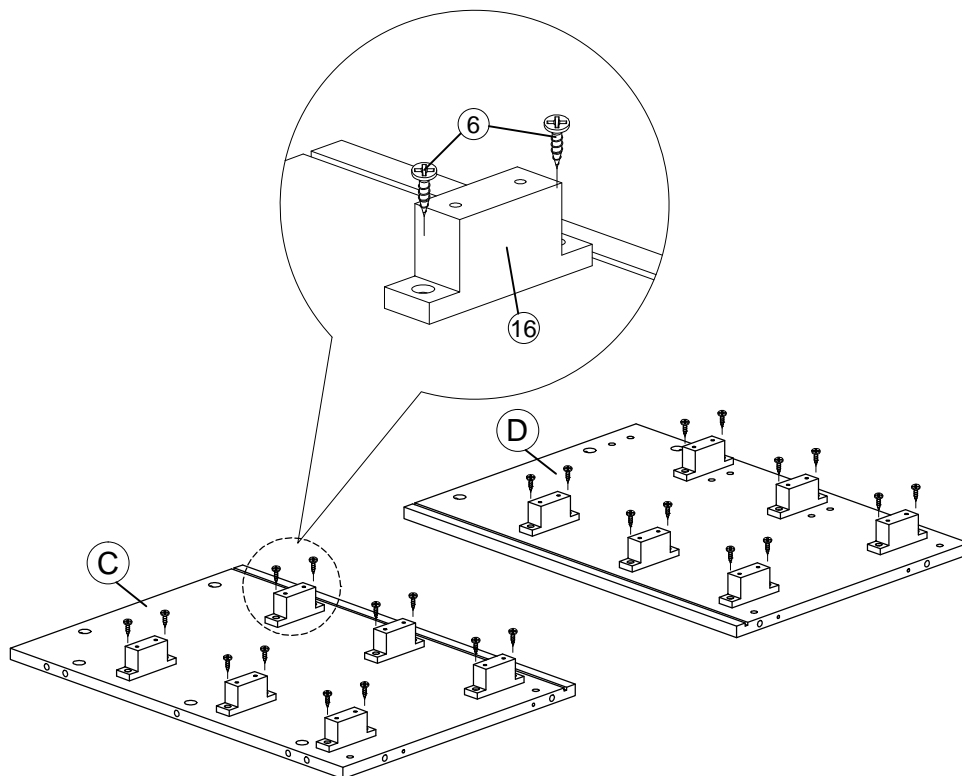


# Assembly Instruction

## Step 8

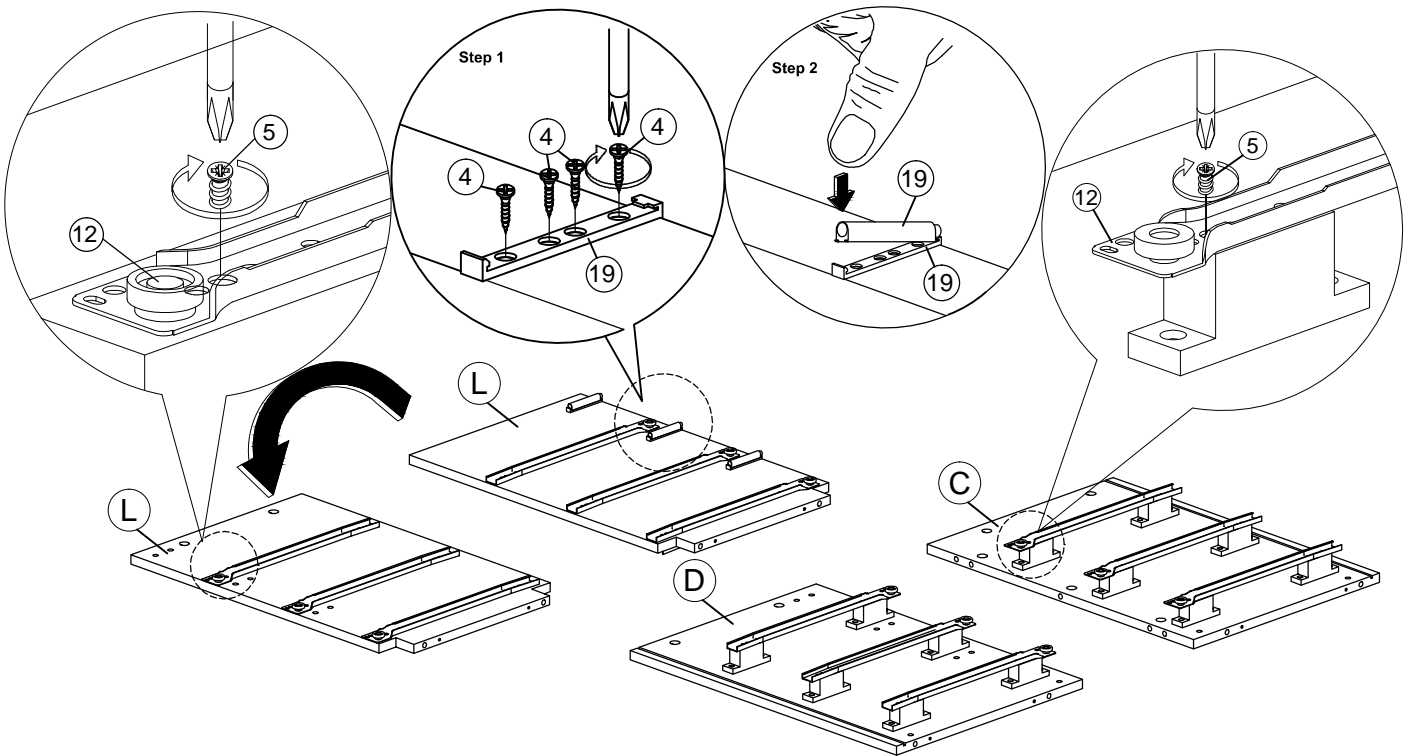


## Step 9

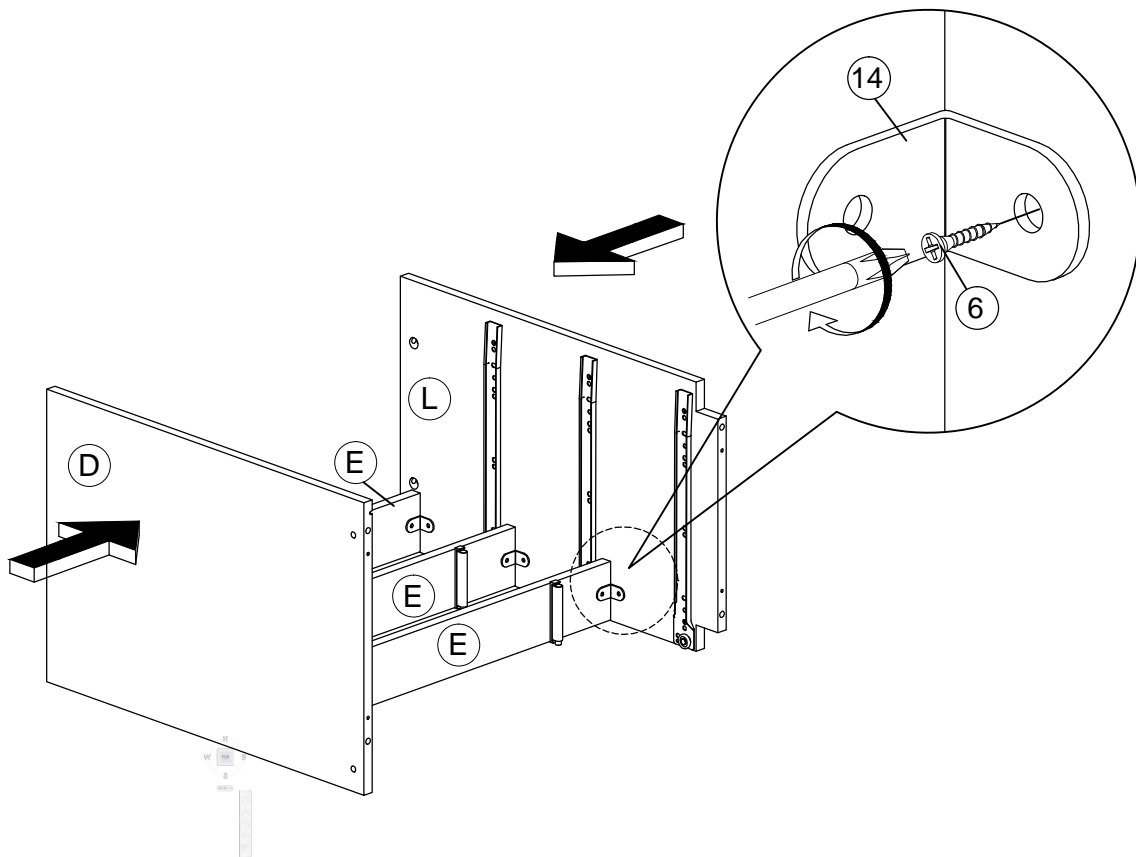


# Assembly Instruction

## Step 10

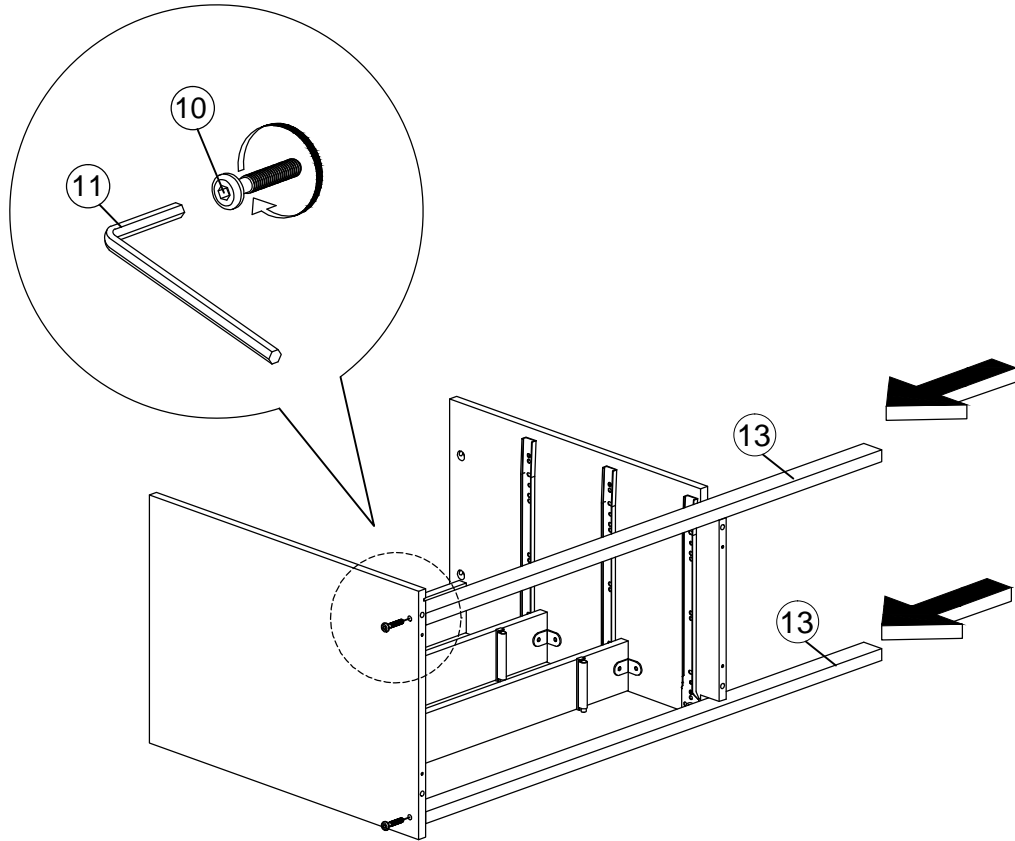


## Step 11

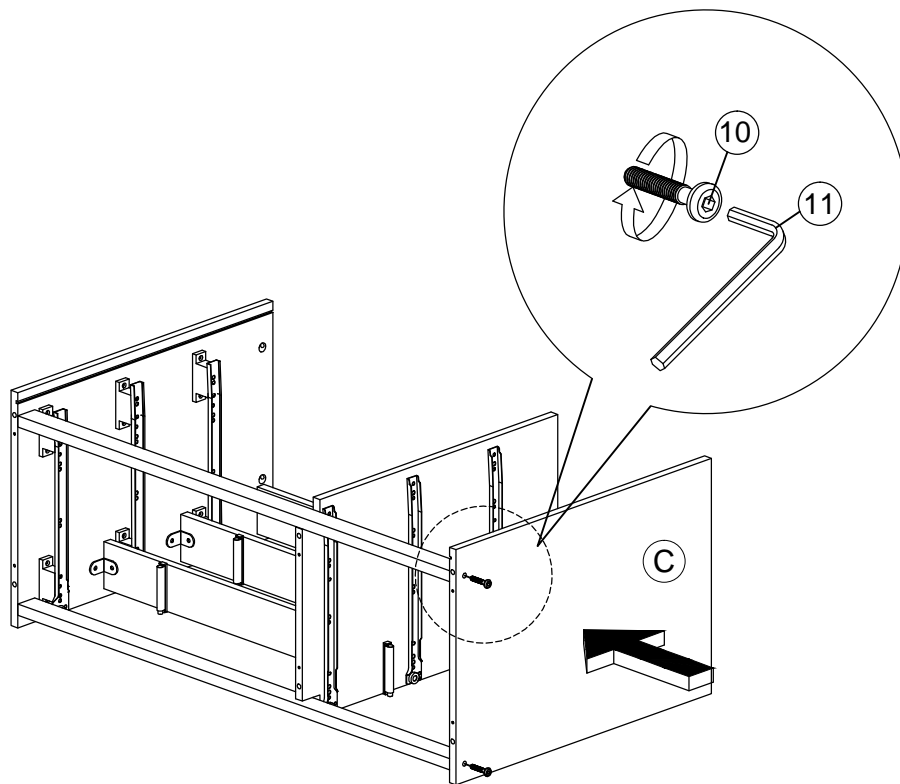


# Assembly Instruction

## Step 12

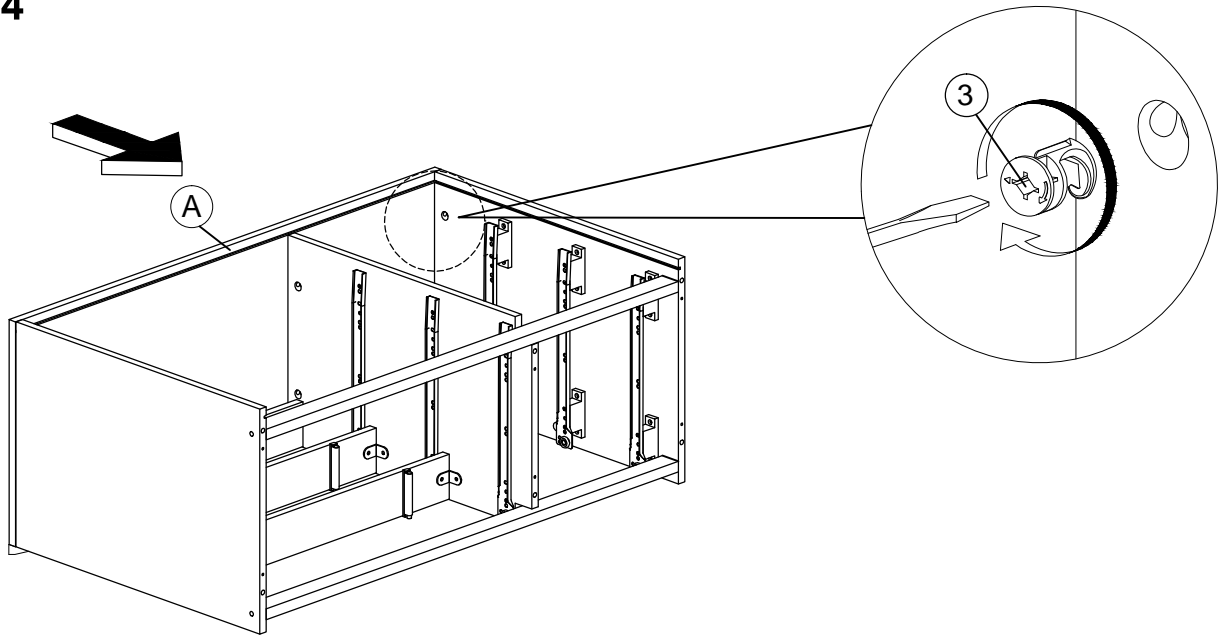


## Step 13

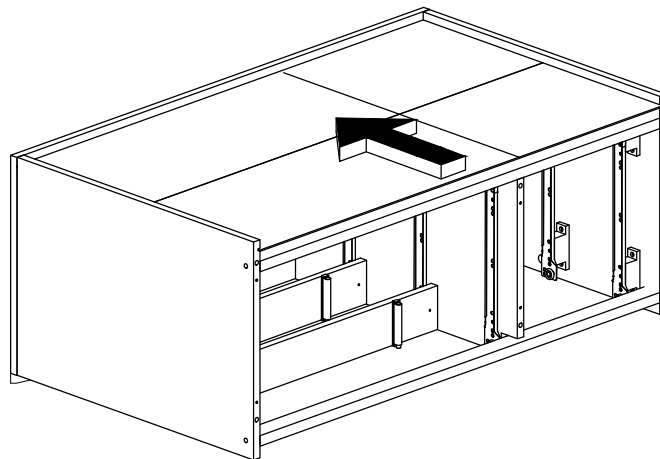


# Assembly Instruction

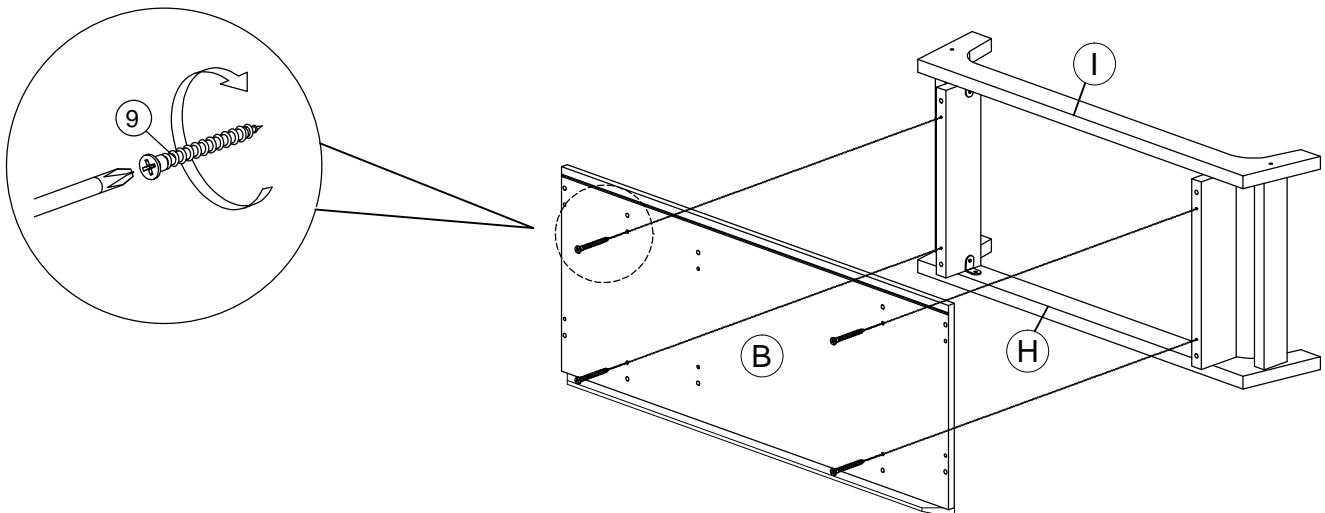
## Step 14



## Step 15



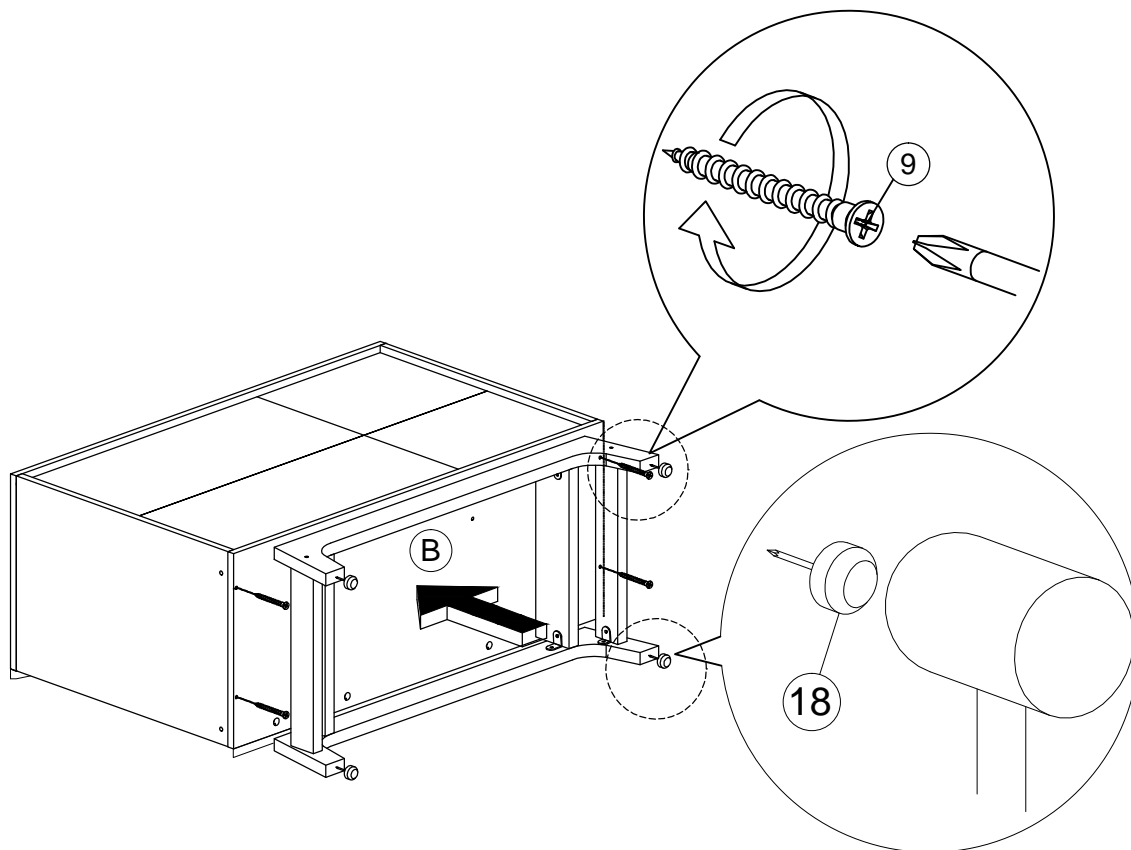
## Step 16



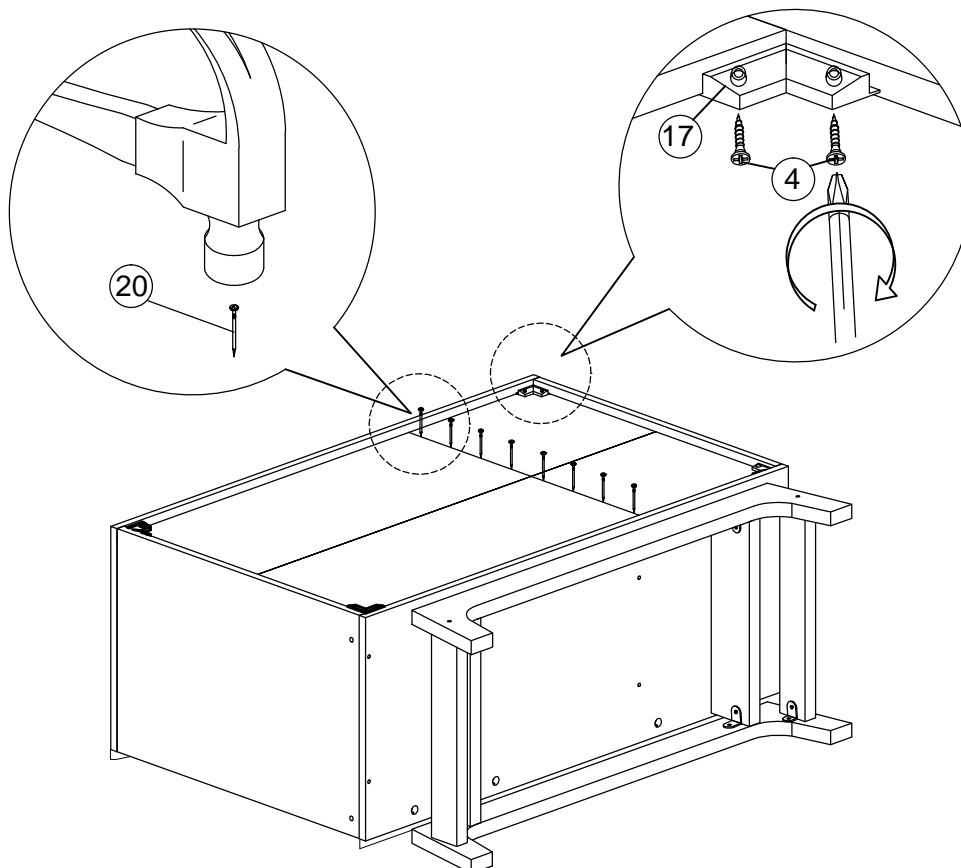


# Assembly Instruction

## Step 17

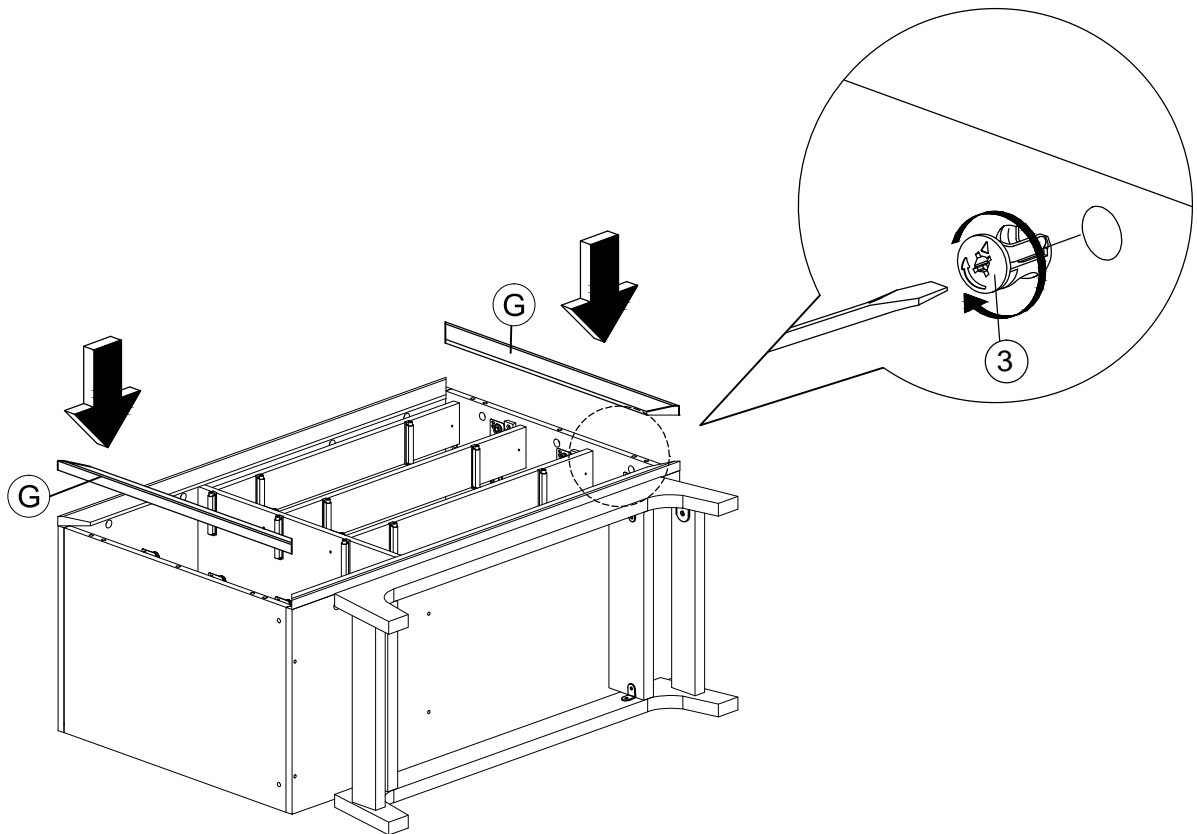


## Step 18

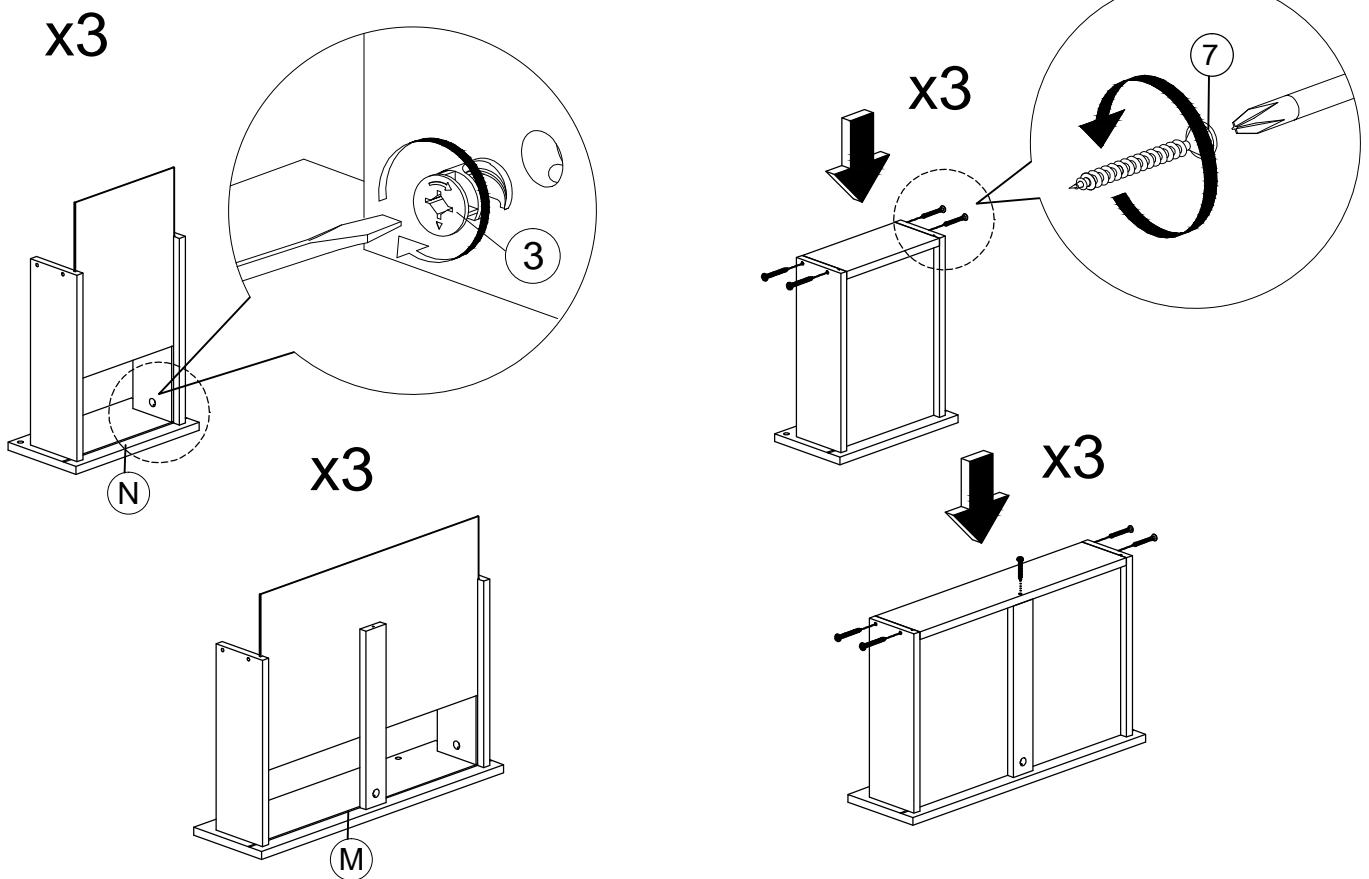


# Assembly Instruction

## Step 19

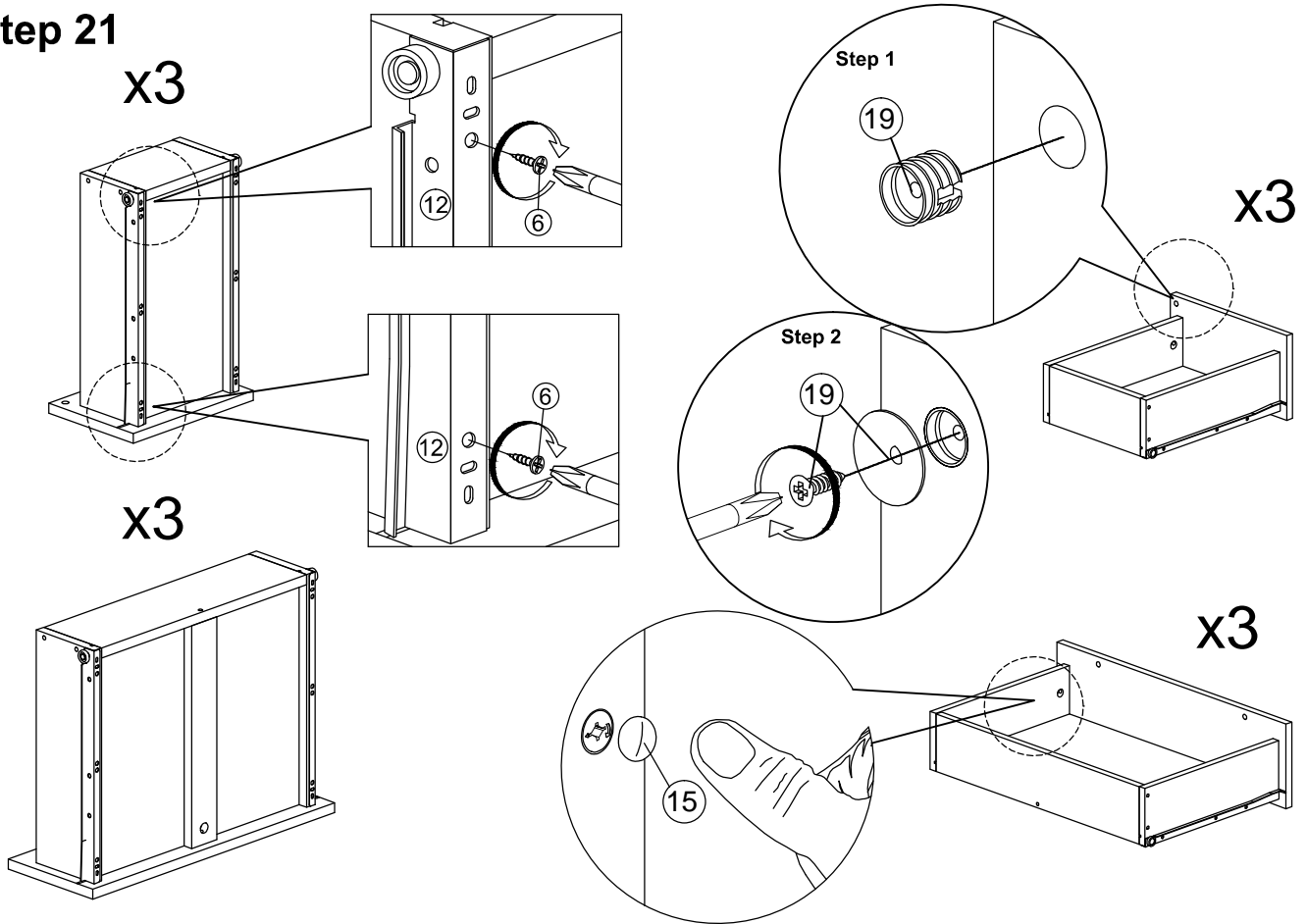


## Step 20

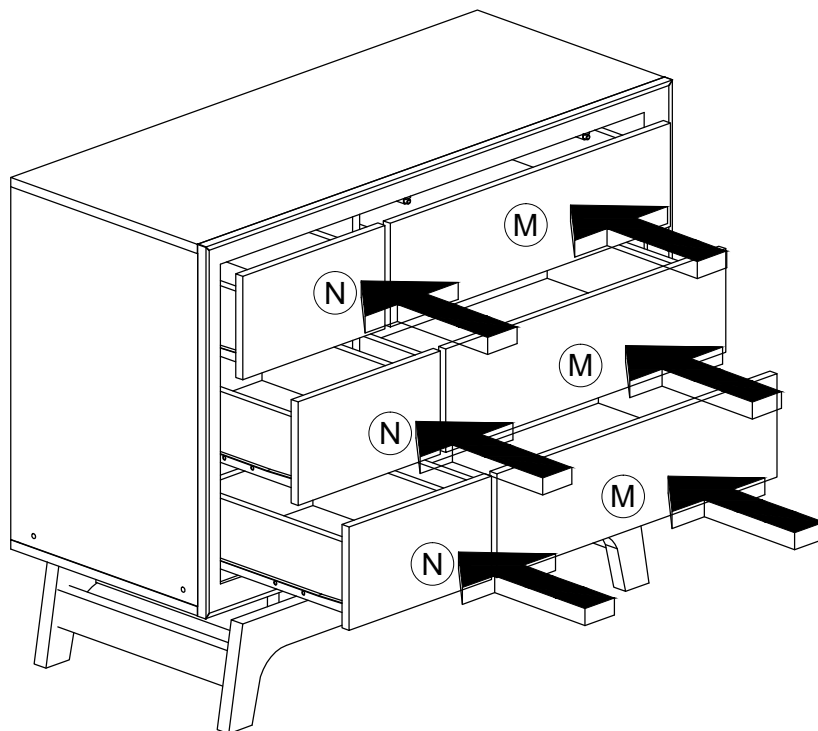


# Assembly Instruction

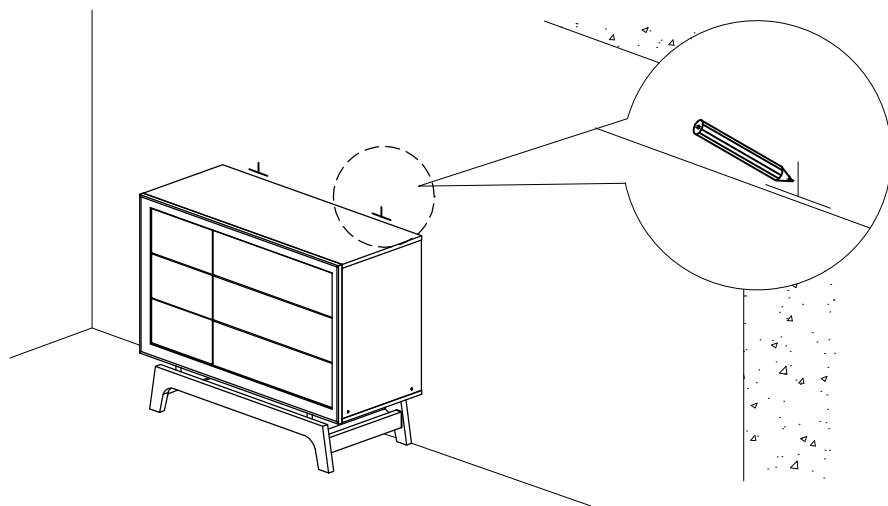
## Step 21



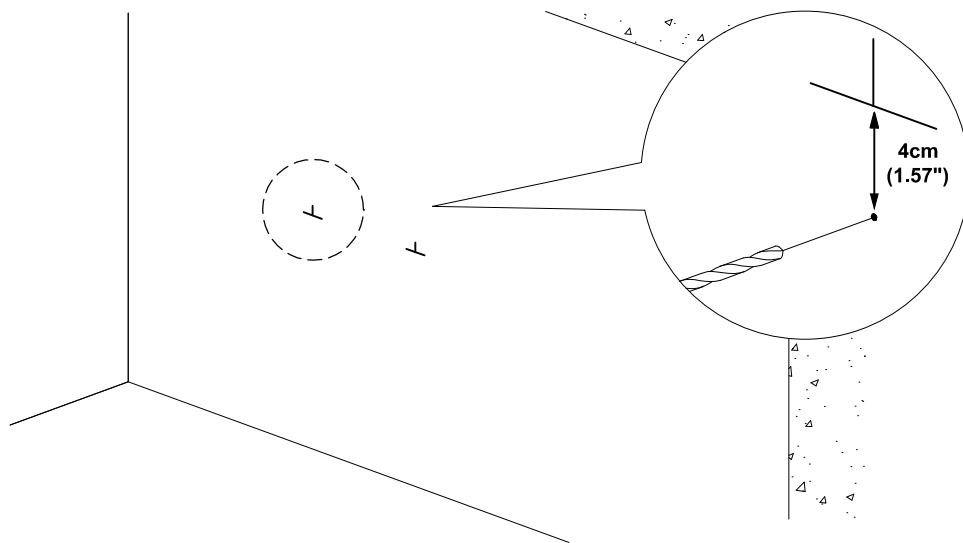
## Complete



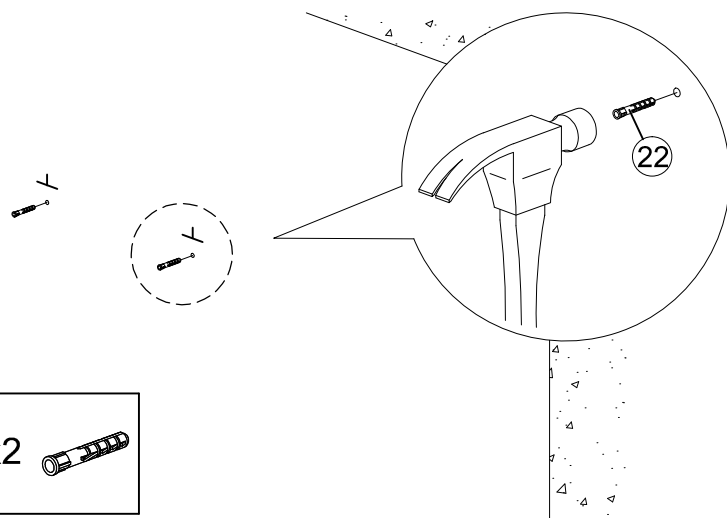
# FURNITURE TIPPING RESTRAINT



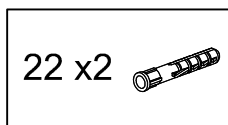
**1. First mark the wall with pencil as in diagram.**



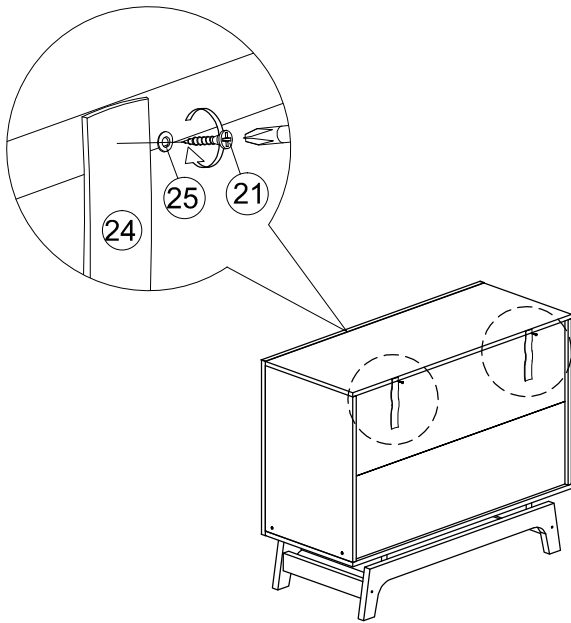
**2. Drill small hole at the pencil mark.**



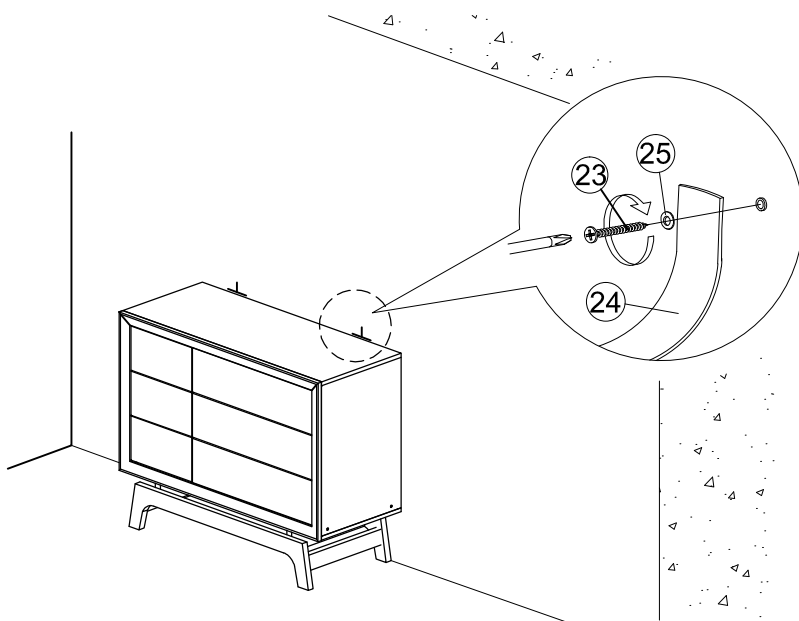
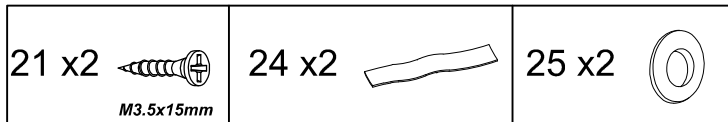
**3. Insert plastic wall plug (22).**



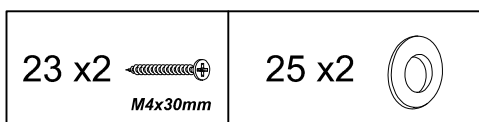
# FURNITURE TIPPING RESTRAINT

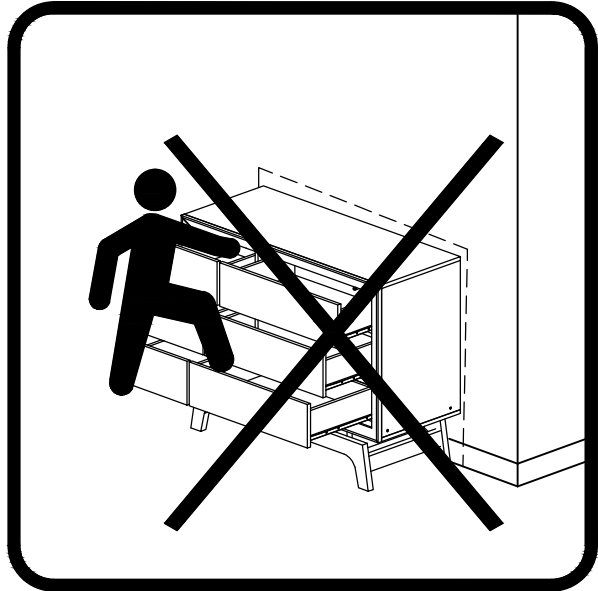
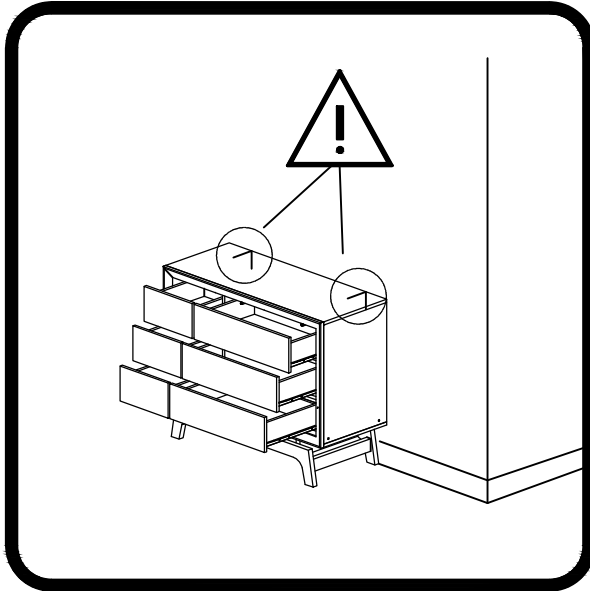


4. Add safety strap (24), washer (25) using 3.5x15mm screw (21) to back of cabinet.



5. Finally, attach safety strap (24) and washer (25) using 4x30mm screw (23) to the wall.





<b>⚠ WARNING</b>	
	<b>Serious or fatal crushing injuries can occur from furniture tip-over. To help prevent tip-over:</b>
	<ul style="list-style-type: none"><li>• Install tipover restraint provided.</li><li>• Place heaviest items in the lowest drawers.</li><li>• Do not set TV's or other heavy objects on top of this product, unless the product is specifically designed to accommodate them.</li><li>• Never allow children to climb or hang on drawers, doors, or shelves.</li><li>• Never open more than one drawer at a time.</li></ul>
	<p>(OR)</p> <ul style="list-style-type: none"><li>• Do not defeat or remove the drawer interlock system.</li></ul> <p><b>Use of tip-over restraints may only reduce, but not eliminate, the risk of tip-over.</b></p> <p><i>This is a permanent label. Do not remove!</i></p>



**Anti-Topple hardware included for added safety and stability**